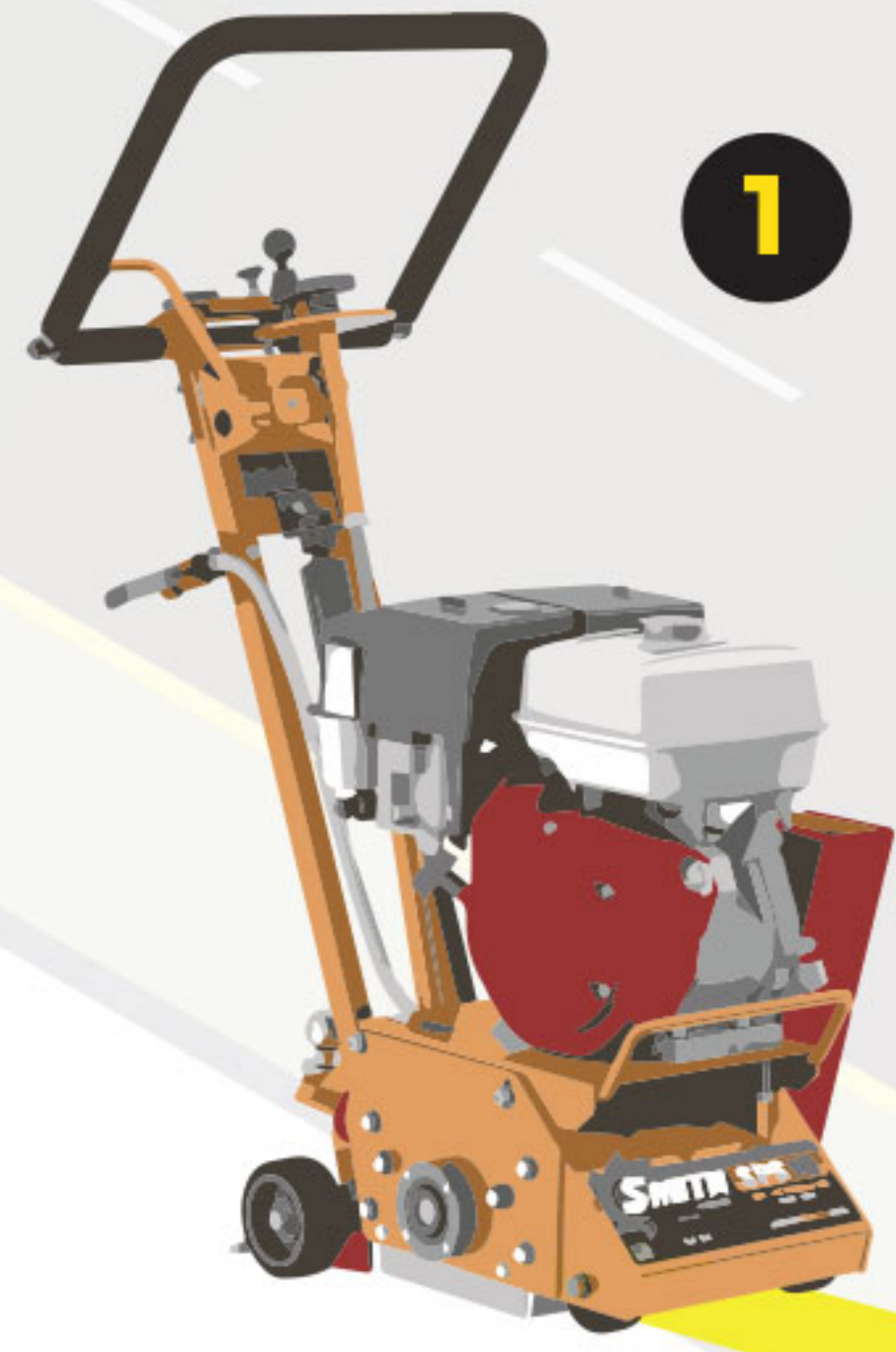


LaneAlert 2x™ Application Quick Guide



1

Remove Existing Markings



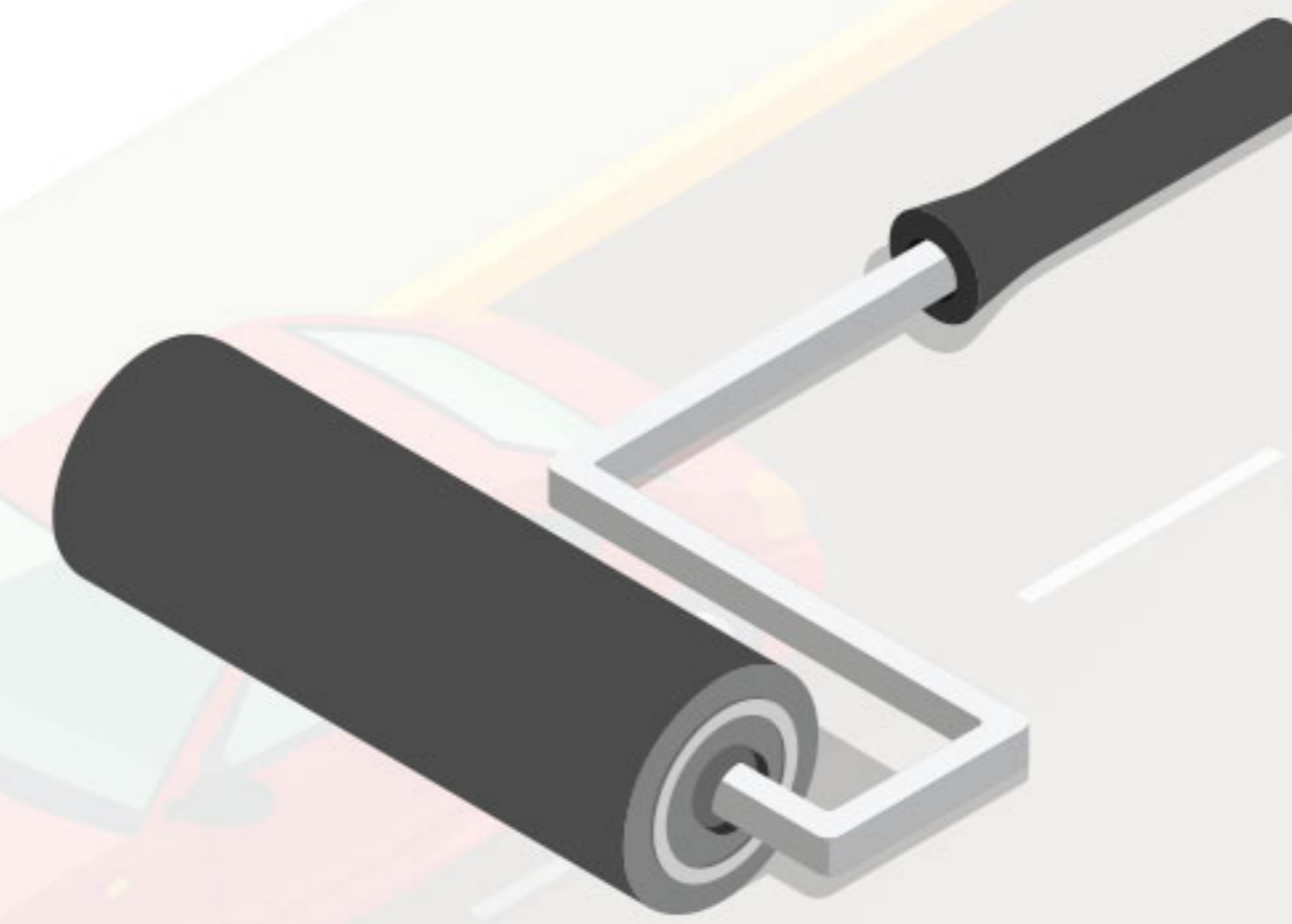
2

Clean Surface



3

Layout Material & Mark



4

Prime Surface

OR



5

Preheat Surface to 220°F (+)



Melt Adhesive Panel to 340°F

6



Align and apply marking panel on top of molten adhesive panel

7

Press in Marking Panel

8

Let Cool to < 100°F Degrees Before Traffic



<100°F

9



Do not heat the Marking Panel

PPP, Inc.
9957 Moorings Drive, Suite 301, Jacksonville FL, 32257
www.AlertBrands.com • 888.717.7771



Safe,
Smart,
Simple
Solutions.